

Quante™ QSA System Catalogue



# IDC Modules Overview

## 3M™ Quante™ Cross Connect System QSA

### Description

#### QSA Series 1

Connection modules for screw fixing in small distribution units. The fixing dimensions of the connection modules for 10 or 20 pairs (colour: grey) are 96 or 170 mm according to DIN 47608 (part 1 and 2). The earthing strips (colour: red) for 44 or 84 wires complete the product range.



**QSA Series 1**  
10 pair connection module

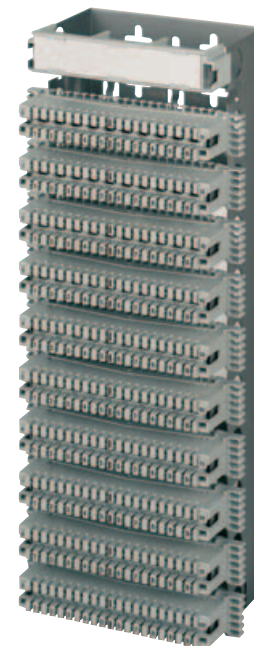


**QSA Series 1**  
20 pair connection module

#### QSA Series 2

Connection and disconnection modules for mounting on back mount frames. The following types of modules are available:

- 10 pairs connection modules (colour: grey) for overvoltage protection magazines.
- 10 pairs disconnection modules (colour: white) for overvoltage and fire protection.
- Earthing modules (colour: red) for 38 wires.



**QSA Series 2**  
connection/disconnection modules  
100 pair distribution block

### Technical Data QSA Series 1

Connection modules:	•
Disconnection modules:	—
Earthing modules:	•
10 pair modules:	•
20 pair modules:	•
Wire diameter in mm:	0.40 - 0.80
Overall diameter in mm (over insulation):	0.70 - 1.50
Number of reterminations: $\leq 0,65$ wire- $\varnothing$	$> 50$ x
Number of reterminations: $0,8$ wire- $\varnothing^*$	$\leq 50$ x
Contact material: special brass	•
Contact surface: 3 - 5 $\mu$ m Silver	•
Housing material: PBT	•
Flame protection: UL 94 V0	•
Insulation resistance: $5 \times 10^4$ M $\Omega$	•
Volume resistance: $< 10$ m $\Omega$	•
Dielectric strength: 2kV <sub>eff</sub> /50Hz	•

### Technical Data QSA Series 2

Connection modules:	•
Disconnection modules:	•
Earthing modules:	•
10 pair modules:	•
20 pair modules:	—
Wire diameter in mm:	0.40 - 0.80
Overall diameter in mm (over insulation):	0.70 - 1.50
Number of reterminations: $\leq 0,65$ wire- $\varnothing$	$> 50$ x
Number of reterminations: $0,8$ wire- $\varnothing^*$	$\leq 50$ x
Contact material: special brass	•
Contact surface: 3 - 5 $\mu$ m Silver	•
Housing material: PBT	•
Flame protection: UL 94 V0	•
Insulation resistance: $5 \times 10^4$ M $\Omega$	•
Volume resistance: $< 10$ m $\Omega$	•
Dielectric strength: 2kV <sub>eff</sub> /50Hz	•

## IDC Modules and Accessoires Series 1

## 3M™ Quante™ Cross Connect System QSA

## Type/Order text

## Ref.-No.



**Connection module**  
for 10 pairs  
Colour: grey, Numbered 1-0

79101-517 00

**Earthing module**  
for 44 wires  
Colour: red  
Dimensions (L x W x D): 105 x 26 x 21.5 mm  
Mounting dimension: 96 mm

79101-533 00



**Connection module**  
for 20 pairs  
Colour: grey, Numbered 2 x 1 - 0

79101-518 00

**Earthing module**  
for 84 wires  
Colour: red,  
Dimensions (L x W x D): 178 x 26 x 25.5 mm  
Mounting dimension: 170 mm

79101-534 00



**Labelling frame**  
for 10 pairs module  
Marking surface: 85 x 15 mm

79156-505 00



**Labelling frame**  
for 20 pairs module  
Marketing surface: 160 x 15 mm

79156-506 00

**Test cord**  
2 poles, with jacks for banana plugs  
length: 0.2 m (without figure)

79054-555 00

# IDC Modules and Accessoires Series 2

## 3M™ Quante™ Cross Connect System QSA

### Type/Order text

### Ref.-No.



#### Connection module

for 10 pairs  
standard  
Colour: grey, Numbered 1 - 0.  
Dimensions (L x W x D): 123 x 18 x 39 mm

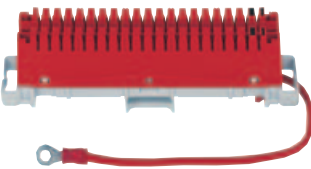
79101-510 40



#### Disconnection module

for 10 pairs  
standard  
Colour: white, Numbered 1 - 0,  
Dimensions (L x W x D): 123 x 18 x 39 mm

79103-510 40



#### Earthing module

for 38 wires  
Colour: red, Connection cable,  
Dimensions (L x W x D): 123 x 18 x 39 mm

79101-516 00



#### Labelling frame

With clear cover and marking strip  
(neutral) 95 x 17 mm,  
Dimensions (L x W x D): 108 x 21 x 24 mm

79156-501 00



#### Labelling frame

Plug-in, hinged, with clear cover,  
with marking strip (neutral) 103 x 11 mm,  
Dimensions (L x W x D): 110 x 17 x 8 mm

79156-503 25



#### Insertion tool

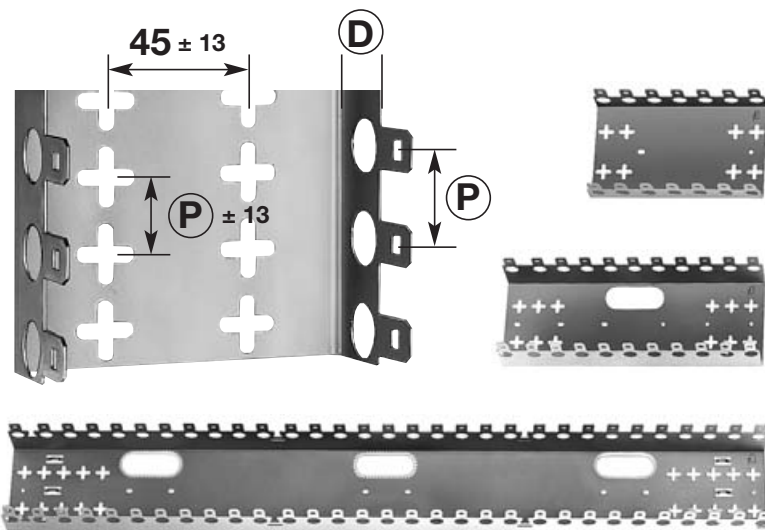
for connecting of the wires,  
Dimensions (L x W x D): 176 x 37 x 21 mm  
For wire diameter: 0.4 - 0.8 mm  
AWG 26 - 20

79397-500 27

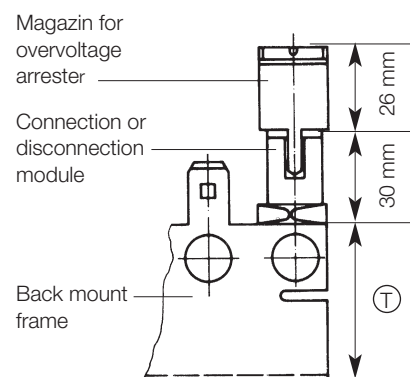
# Backmount Frames Series 2

## 3M™ Quante™ Cross Connect System QSA

Pitch (P)	Depth (D)	LH*	Dimensions (L x W x D)	Version	Ref.- No.
<b>Back mount frame</b>					
25 mm	22 mm		45 x 105 x 42 mm	for 2 modules	<b>79151-533 00</b>
			70 x 105 x 42 mm	for 3 modules	<b>79151-534 00</b>
			170 x 105 x 42 mm	for 7 modules	<b>79151-536 00</b>
27.5 mm	22 mm		111 x 105 x 42 mm	for 4 modules	<b>79151-502 25</b>
		LH*	358.8 x 105 x 42 mm	for 13 modules	<b>79151-505 25</b>
30 mm	30 mm		156 x 105 x 50 mm	for 6 modules	<b>79151-506 25</b>
		LH*	246 x 105 x 50 mm	for 9 modules	<b>79151-507 25</b>
		LH*	268.5 x 105 x 50 mm	for 10 modules	<b>79151-508 25</b>
		LH*	291 x 105 x 50 mm	for 11 modules	<b>79151-509 25</b>
		LH*	358.5 x 105 x 50 mm	for 13 modules	<b>79151-510 25</b>
		49 mm			
49 mm	49 mm	LH*	300 x 105 x 69 mm	for 1 x 10 + 1 module	<b>79151-511 25</b>
		LH*	580 x 105 x 69 mm	for 2 x 10 + 1 module	<b>79151-512 25</b>
		LH*	860 x 105 x 69 mm	for 3 x 10 + 1 module	<b>79151-513 25</b>
		LH*	1575 x 105 x 69 mm	for 55 + 1 module	<b>79151-550 00</b>
22.5 mm	49 mm	LH*	253 x 105 x 69 mm	for 1 x 10 + 1 module	<b>79151-511 00</b>
		LH*	486 x 105 x 69 mm	for 2 x 10 + 1 module	<b>79151-512 00</b>
		LH*	719 x 105 x 69 mm	for 3 x 10 + 1 module	<b>79151-513 00</b>



Dimension scheme of overall heights



\*) version of back mount frames with long hole (LH) on the back 30x70mm. Delivered with 4 screws M4x8 with spring locks

# Cable Terminal Blocks Series 2

## 3M™ Quante™ Cross Connect System QSA

### Description

Cable head block for cabinets with vertical frame. The backmount frames are designed to accommodate either grease filled distribution cables or air pressured main cables with casted pressure blocking kit.

Comes with rear cable entry holes and protective grommet. Cable strength relieve is provided with enclosed accessories.

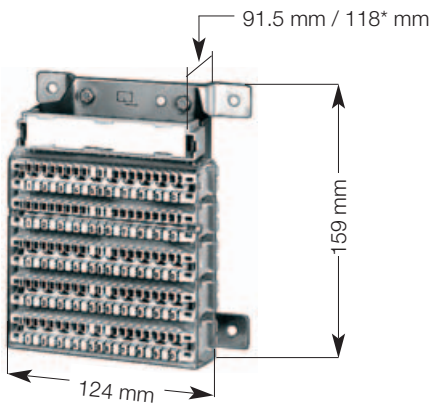
Cable designation label and fixing material included.

#### Delivery content:

Backmount frames (stainless steel);  
fitted with:  
5 or 10 connection or disconnection modules for each 10 pairs,  
numbered 1 - 0;  
1 dust cover,  
flat version for 100 pairs, high version for 50 pairs,;  
1 labelling frame;  
1 plug-in number set;  
2 edge protection;  
1 fixing set for mounting.

### Type/Order text

### Ref.-No.



#### Connection block / 50 pairs

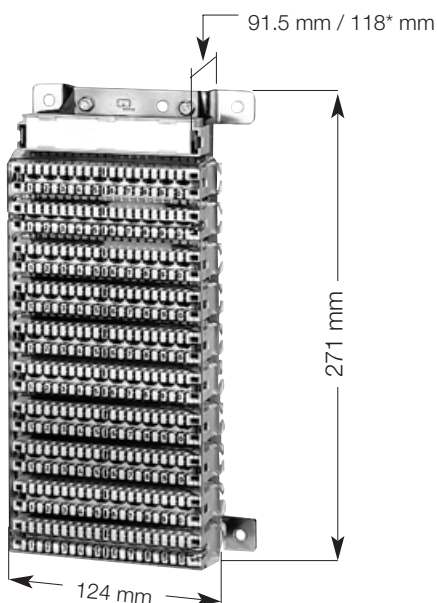
with 5 connection  
modules 10 pairs,

10-550-00140

#### Disconnection block / 50 pairs

with 5 disconnection  
modules 10 pairs,

15-450-00140



#### Connection block / 100 pairs

with 10 connection  
modules 10 pairs,

10-600-00140

#### Disconnection block / 100 pairs

with 10 disconnection  
modules 10 pairs,


15-500-00140

Accessoires Series 2

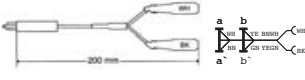
3M™ Quante™ Cross Connect System QSA

Type/Order text


Ref.-No.

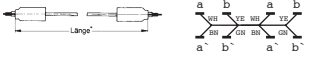
 Circuit: **Test plug kit**  
with connection contacts, solderable  
**2 poles** 79096-500 00


with disconnected contacts, solderable  
**4 poles** 79096-501 00

 **Test cord**  
with 2 jacks for banana plug  
**2 pole** 79054-501 00

with 4 jacks for banana plug  
**4 poles** 79054-524 00

 **Connection cord**  
with 2 connection plugs  
**2 poles, Length: 2 m** 79054-502 26  
**2 poles, Length: 6 m** 79054-502 28


 **Connection cord**  
With 2 4pole disconnection plugs  
**4 poles, Length: 2 m** 79054-504 26  
**4 poles, Length: 6 m** 79054-504 28

 **Disconnection plug for 1 pair**  
red 79122-500 00  
white 79122-500 25  
black 79122-500 29  
brown 79122-500 30

 **Disconnection plug**  
for 10 pair, white 79122-505 00

 **Dummy plug**  
for 1 pair, red 79072-500 00

 **Marker caps**  
for 1 pair  
red 79004-500 00  
yellow 79004-500 25  
black 79004-500 29  
brown 79004-500 30

 **Magazine 10 pair** 38126-502 40  
For arrester shape 3pole, insertion on connection and disconnection modules, Dimension (L x W x D): 112 x 22 x 43 mm

 Circuit: **3 pole arrester**  
230 V - 10 A / 10kA 39081-728 00

**3pole arrester**  
with fail-safe 2x5A / 2x5kA,  
n (100°C) ts ≤ 10 sec 05-661-02600

# Applications with QSA Series 2 modules

## In Outdoor Cross Connection Cabinets

### Description

For application in outdoor cabinets for the distribution of copper-based telecommunication networks, we offer either the modular solution of backmount frames and modules or cable termination blocks, which can be mounted on the frames inside the cabinets. For further information regarding modules and backmount frames see page 4 and 5.

The backmount frame of the cable head block is designed to accommodate either grease filled distribution cables or air pressured main cables with casted pressure blocking kit.

Cornes with rear cable entry holes and protective grommet. Cable strength relieve is provided with enclosed accessories.

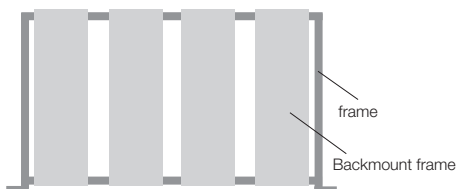


#### Type/Order text

Ref.-No.

#### Type/Order text

Ref.-No.

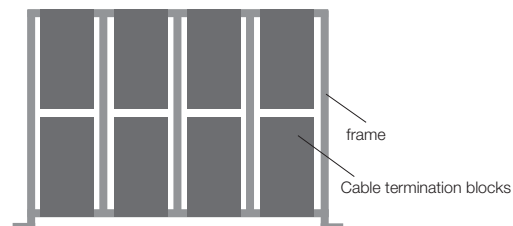
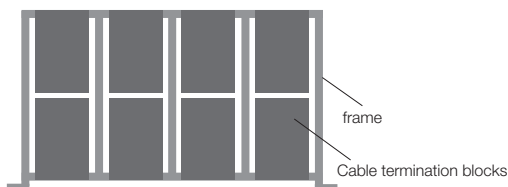


**Backmount frame**  
for 20+1 modules R22,5  
(Modules see page 4)

**79151-512 00**

**Backmount frame**  
for 30+1 modules R22,5  
(Modules see page 4)

**79151-513 00**



Suitable blocks (max. 200 pairs per bay)

<b>Connection block</b>	50 pairs	<b>10-550-00140</b>
<b>Disconnection block</b>	50 pairs	<b>15-450-00140</b>
<b>Connection block</b>	100 pairs	<b>10-600-00140</b>
<b>Disconnection block</b>	100 pairs	<b>15-500-00140</b>

(Blocks see page 6)

Suitable blocks (max. 300 pairs per bay)

<b>Connection block</b>	50 pairs	<b>10-550-00140</b>
<b>Disconnection block</b>	50 pairs	<b>15-450-00140</b>
<b>Connection block</b>	100 pairs	<b>10-600-00140</b>
<b>Disconnection block</b>	100 pairs	<b>15-500-00140</b>

(Blocks see page 6)

Size of backmount frame depends on size of the cross connection cabinet.

# Applications with QSA Series 2 modules

## 3M™ Durable Distribution Box DDB

### Description

The distribution and branch box for copper cable based networks is designed to accommodate Quante™ SID™ -CT or QSA modules. The box is prepared for surge protection. Locking system is optional available.

- Housing with hinged cover (DDB 200 with door)
- Opening of the covers approx. 110° (DDB200 180°)
- Prepared for mounting on wall or pole (wood, metal or concrete)
- No additional pole mounting kit necessary
- Protection class IP 54 / IP 64 with sealing
- Cable sheath grounding clamp

### Material

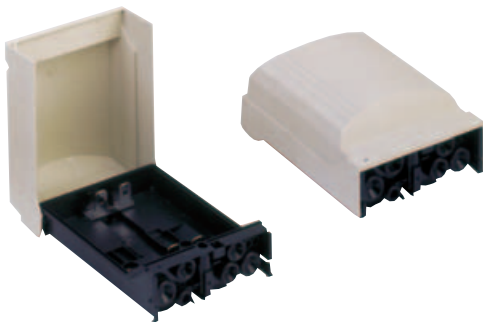
Housing: PC/ABS, UV resistant, UL94 V-0  
 Cover: glass-fibre reinforced polyester colour RAL 7032  
 Grommets: polyethylene, UV resistant  
 Back mount frame: stainless steel  
 Screws: stainless steel  
 Cable sheath grounding clamp: steel tin plated

### Delivery content

DDB Box with back mount frame for SID™ -CT / QSA modules, with Cable sheath grounding clamp

### Type/Order text

### Ref.-No.

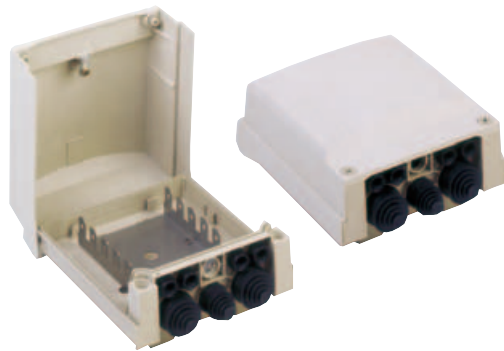


**DDB 20**  
for max. 2 modules  
(Modules see page 4)

**25-020-01200**

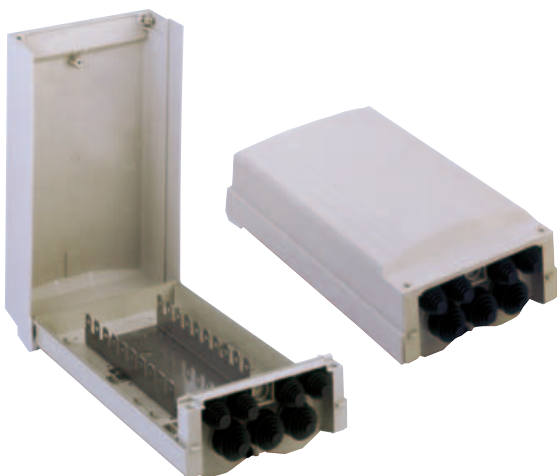
### Type/Order text

### Ref.-No.



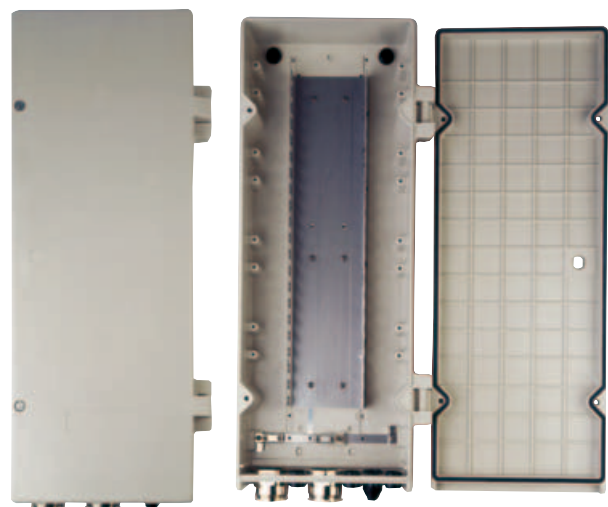
**DDB 50**  
for max. 5 modules  
(Modules see page 4)

**25-050-01200**



**DDB 100**  
for max. 10 modules  
(Modules see page 4)

**25-100-01200**



**DDB 200**  
for max. 20 modules  
(Modules see page 4)

**25-200-01200**

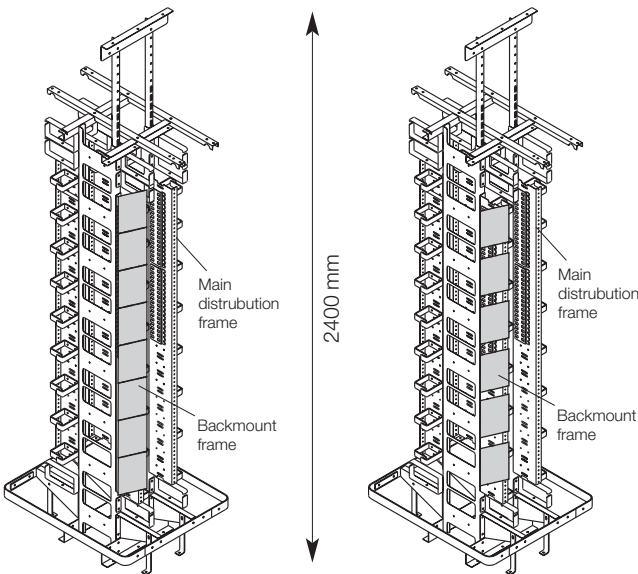
# Applications with QSA Series 2 modules

## 3M™ Quante™ Main Distribution Frame ID Multi 3M™ Wall Mounting Frame QVG

### Description

#### Quante™ Main Distribution Frame ID Multi

The Quante™ ID Multi Frame is a vertical frame for medium to large capacity. The frame as standard accommodates SID™, QSA and ID 3000™ line/ exchange side blocks. Two kinds of frames are available, a basic frame and an extension frame. Both frames have two verticals with a pitch of 225 mm for fixing the different backmount frames. Available heights of the ID Multi frames are 2400 mm and 2800 mm.



**Backmount frame**  
for 10 modules Pitch 22,5 mm  
Ref.-No. 79148-564 00

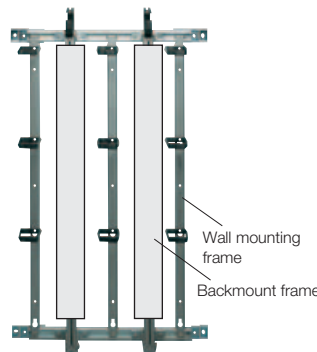
**Backmount frame**  
for 10 modules Pitch 27,5 mm  
Ref.-No. 79148-565 00

#### Wall Mounting Frame QVG

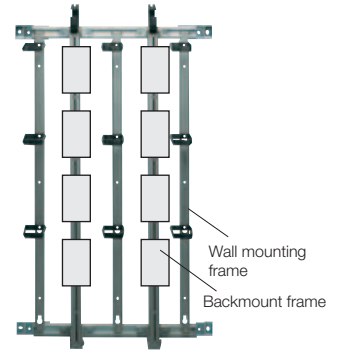
The 3M distribution frame QVG is of use wherever a number of telecommunication components have to be clearly and practically mounted and connected in back mount frame, block, profile and DIN designs.

#### QVG 1000

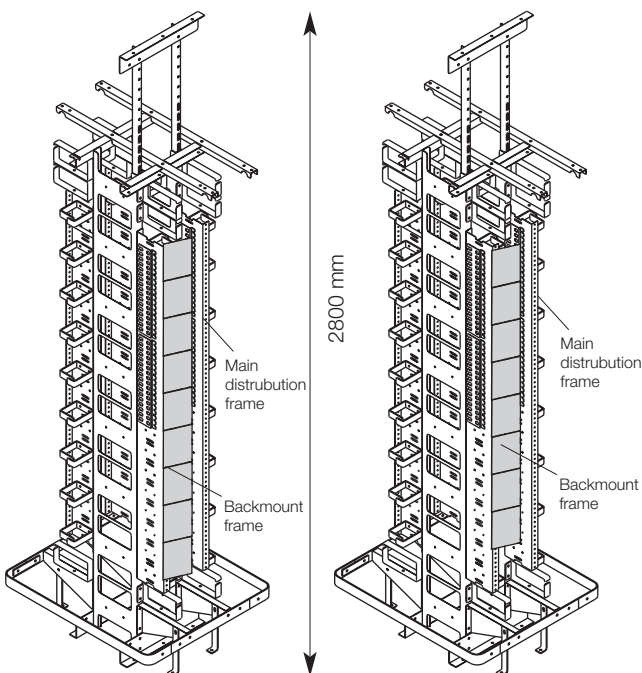
this Frame is also used in QVG 600



**Backmount frame**  
for 30 modules Pitch 27,5 mm  
Ref.-No. 79151-513 25



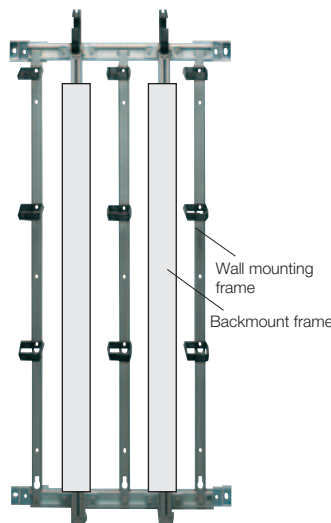
**Backmount frame**  
for 10 modules Pitch 22,5 mm  
Ref.-No. 79151-564 25



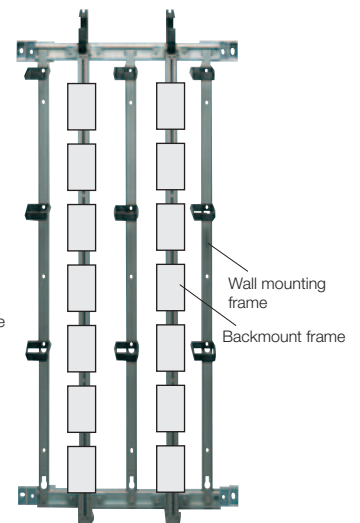
**Backmount frame**  
for 10 modules Pitch 22,5 mm  
Ref.-No. 79148-564 00

**Backmount frame**  
for 10 modules Pitch 27,5 mm  
Ref.-No. 79148-565 00

#### QVG 1600



**Backmount frame**  
for 50 modules Pitch 27,5 mm  
Ref.-No. 79151-550 00



**Backmount frame**  
for 10 modules Pitch 22,5 mm  
Ref.-No. 79151-564 25

# Applications with QSA Series 2 modules

## 3M™ Indoor Wall Mounted Cabinet QWG

## 3M™ Indoor Distribution Box VKA

### Description

#### Wall Mounted Distribution Cabinet QWG 800

QWG 800 is a wall mounted distribution cabinet with a QVG frame for installation of telecommunication components in backmount, block, profile and DIN design. This cabinet is intended for installation in dry rooms. Protection class IP 30 is standard and IP 54 as an retrofit option.

#### Type/Order text

#### Ref.-No.

#### QWG 800

41-108-01000



Backmount frame

**Backmount frame**  
for 30 modules Pitch 27,5 mm

79151-550 00



Backmount frame

**Backmount frame**  
for 10 modules Pitch 22,5 mm

79151-564 25

#### QWG 150



**QWG 150**  
**Indoor distribution housing**  
for max. 72 modules  
(see page 4)

41-105-01100

#### Indoor Distribution Box VKA

The VKA system (depending on the housing size) accommodates a maximum of 60 to 400 pairs capacity.

The distinguishing feature of this generation of distribution boxes is the rotating baseplate - "FlexiBase".

FlexiBase enables to mount QSA Series 1 strips on one side while alternatively QSA Series 2 strips can be mounted on the opposite side.



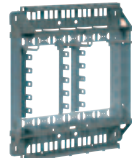
#### Type/Order text

#### Ref.-No.



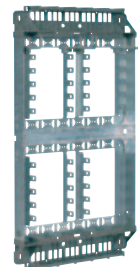
**VKA 2**  
for max. 6 modules Series 2 (see page 4)

52-301-00025



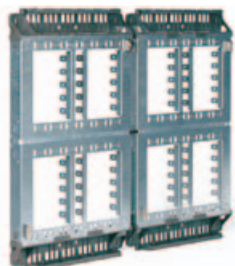
**VKA 4**  
for max. 10 modules Series 2 (see page 4)

52-301-00100



**VKA 8**  
for max. 20 modules Series 2 (see page 4)

52-301-00200



**VKA 12**  
for max. 40 modules Series 2 (see page 4)

52-301-00300

# *important* important Notice

3M does not accept responsibility or liability, direct or consequential, arising from reliance upon any information provided and the user should determine the suitability of the products for their intended use.

Nothing in this statement will be deemed to exclude or restrict 3M's liability for death or personal injury arising from its negligence.

All questions of liability relating to 3M products are governed by the seller's terms of sale subject where applicable to the prevailing law.

If any goods supplied or processed by or on behalf of 3M prove on inspection to be defective in material or workmanship, 3M will (at its option) replace the same or refund to the Buyer the price of the goods or services.

Except as set out above, all warranties and conditions, whether express or implied, statutory or otherwise are excluded to the fullest extent permissible at law.

*3M is a trademark of 3M.*

*Quante, ID 3000 and SID are trademarks of Quante AG.*



**Quante AG**

**3M Telecommunications**

Carl-Schurz-Straße 1 · 41453 Neuss · Germany

Tel.: ++49 (0)2131 / 14-59 99

Fax: ++49 (0)2131 / 14-59 98

Internet: <http://www.3MTelecommunications.com>